

# Epson EB-X29




With the EB-X29, manufacturer Epson offers a standard portable LCD projector with WXGA 1280 x 800 resolution and a contrast of 10000:1. The lamp in the projector is specified with a lamp life of 10000 hours, which converts to over 13.7 years at 2 hours per day. Includes an integrated media player that can be used to play files directly. Built-in horizontal and vertical keystone correction provides freedom when positioning the projector. An image width of up to 556 cm is possible. However, the image should be smaller in room light. We recommend max. 371 cm. This model is no longer offered by Epson.

## Brief Introduction

Beta 2.5

### Display Type

 3 x 0,55" D8 LCD TFT Panel mit MLA  
 WXGA 16/10 Liquid Crystal Display with Micro Lense Array

### Ansi-Lumen

3000

1200 Lux (bei 200 cm Screen)

### Contrast

10000:1 full on/off

10000:1 full on/off

### Black Level Offset

0,3000 min. Lumen

0,12 min. Lumen

### Resolution

WXGA 1280 x 800  
 1.024.000 Pixel

### Video Modes

Pal, SECAM, NTSC, HDTV 720p, 1080i, EDTV 480p, 576p

**Media player formats:** .jpg .bmp .gif .png .avi

### Application

Standard-Portabel | External training and company presentations, as well as product presentations.

Medium screen width or rooms with a little more ambient light, max. 200 lumens.

### Light Source

200W UHE Lamp  
 Articiel Nr.: ELPLP78

### Light Life

5000 h. 10000 h. in Eco Mode

### Operating Costs

9,52% / 0,04 €

### Focus

Manual

### Zoom

Manual 1,2

### Objective

-

### Throw Ratio

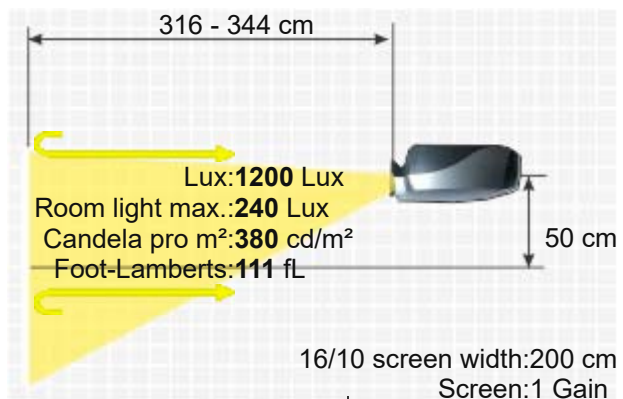
1,58-1,72:1

### Audio

5W Mono

### Connections

HDMI in  
 D-sub 15pin in x2 und out  
 Cinch Video in  
 Cinch Stereo in  
 Mini Jack Audio in x2 und out  
 S-Video in  
 USB in  
 RJ45



RS-232c

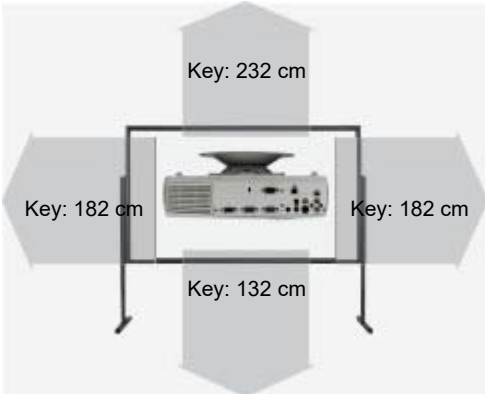


Ceiling Mounting  
Power  
Size WxHxD  
Operating Noise

Yes  
273 / 204W in Eco Mode  
234 x 77 x 297 mm (9,2"x3"x11,7") 5,35 L/dm<sup>3</sup>  
37 / 29 dB in Eco Mode

Weight  
Keystone  
Illumination  
Frequenz

2,60 kg / 4,41 lbs.  
Vert.: +/-30°  
Hori.: +/-30°  
-



Foot-Lamberts

111 fL / max. 556 cm screen width  
380 cd/m<sup>2</sup>

Features

- Integrated Mediaplayer
- Blackboard Modus
- Eco Mode
- Kensington Slot
- sRGB
- Password protection
- Optional Wi-Fi network compatible.
- Lan network compatible.

Optional

Lamp original ELPLP78 / V13H010L78  
2 air filter original ELPAF32 / V13H134A32 / 1557759  
Remote control original 1626366

Status

Order here: <https://www.hcinema.de/lampen/shop-en.php?id=22713>  
2014 Discontinued (EOL) // Last update of the data: 2023-08-30  
Created: 2020-05-11 21:05:46

Data



More Details



# HCinema

<https://www.projector-database.com/pro/epsonebx29-en.html>

Due to our ongoing commitment to continuously improve the quality of our projector database, this brochure is also subject to change without notice. HCinema is not responsible for any errors or omissions contained in product descriptions.